

SCM20ASL Limited Edition

2-Way Active Stand-Mount Loudspeaker



Overview

Sealed cabinet finished in high-gloss blue with leather upholstered baffle
Proprietary ATC 1"/25mm 'S-Spec' H.F. driver
Proprietary ATC 6"/150mm 'SL' bass driver
On-board ATC active 250W 'Amp Pack'
Class A/B MOSFET amplifiers, 200W bass/mid & 50W high-frequency
2nd order Linkwitz-Riley active crossovers
User adjustable input sensitivity & bass shelf controls

Acoustic specifications

Bass/mid driver: 1 x 150mm/6", SB75-150SL 8Ω
High Frequency Driver: 1 x 25mm/1", SH25-76S 6Ω
Low Frequency Cut-off: 55Hz (-6dB, anechoic)
High Frequency Cut-off: 25kHz (-6dB)
Crossover Point: 2.2kHz
MaxSPL: 108dB continuous, 114dB peak (per pair; IEC Weighted Pink Noise, 1m, anechoic).
Sensitivity: +4dBu rev 95dBC (Bass Boost 0dB, Input Sensitivity 1V, Pink noise).

Electronic specifications

Balanced Input: 1 x Rear Panel Mounted Female XLR, pin 2 hot
Input Impedance: 20kΩ (differential)
Input CMRR: >60dB at (10kHz)
Input Sensitivity: 2.2dBu/1Vrms for full power
Input Sensitivity Control: -6dB switchable, -6dB variable. Total adjustment 2.2dBu/1Vrms to 14.2dBu/4Vrms
Bass Shelf: -2dB to +3dB, switchable in 1dB steps
Crossover Filters: 2nd Order Linkwitz Riley
Amplifier type: Grounded Source MOSFET, class A/B, convection cooled
Output Power: Bass 200W (8Ω), H.F. 50W (8Ω)
THD+N: <0.0017%/-95dB (1kHz, 1dB below rated power; 90kHz BW)
Frequency Response: <2Hz to >200kHz (-3dB)
Limiter: ATC Active FET Momentary Gain Reduction
Electronic amp protection: Amplifier d.c. offset and over-temperature (both indicated by rear panel LED)
Mains Input: 220-230V or 115V, factory set. Please observe panel markings and labels!
Power Consumption: *Idle* 26W/41VA. *1/8th Power* 116W/116VA. *Full Power* 312W/398VA
Heat Output: *Idle* 89BTU/hr, *1/8th Power* 311BTU/hr, *Full Power* 382BTU/hr

Physical specifications

See following page



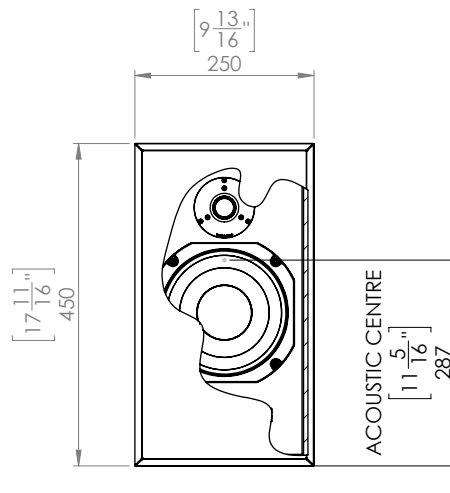
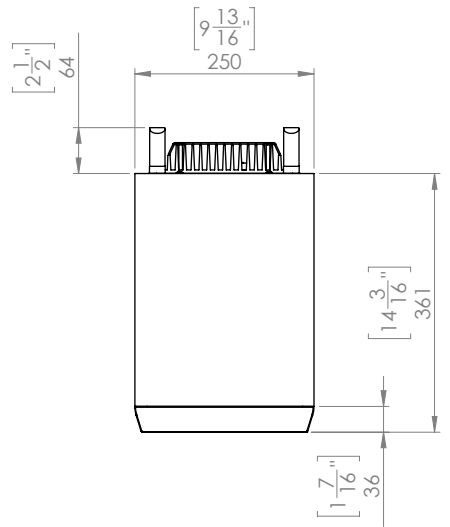
ATC reserve the right to change specifications without prior notice
 Acoustic Transducer Co. is a trading name and ATC is the registered Trade Mark of Loudspeaker Technology Ltd.

SCM20ASL Limited Edition

2-Way Active Stand-Mount Loudspeaker

Net Weight: 27kgs/59.5lbs

Dimensions...



SCM20ASL LE

